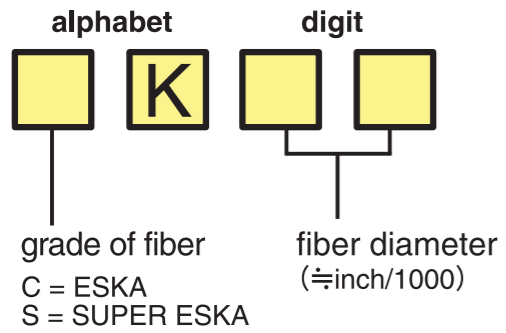
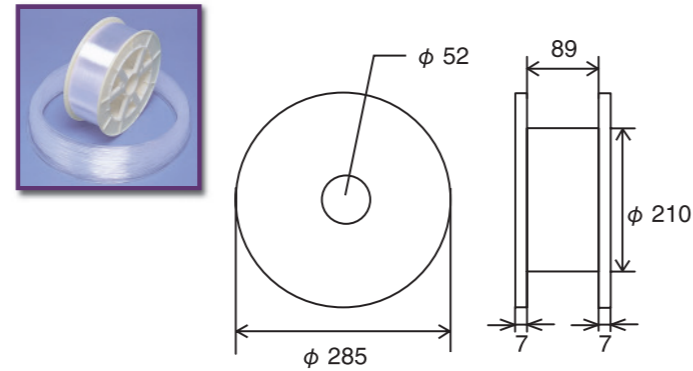


# Bare Fibers

## Item No. designation



## Spool dimensions



	Item No.	Fiber Diameter (mm)	Core Diameter (mm)	Transmission Loss (dB/km)	Temperature Range (°C)	Length (m)	Net Weight (fiber weight) (kg)	Spool Weight (kg)	Box size (mm)	Gross Weight (fiber+spool+box) (kg)
CK (Lighting)	CK10	0.25	0.24	350	-55 ~ +70	12,000	0.72	0.66	286x286x130	1.7
	CK20	0.5	0.486	250	-55 ~ +70	6,000	1.44	0.66	286x286x130	2.7
	CK30	0.75	0.735	200	-55 ~ +70	2,700	1.458	0.66	286x286x130	2.7
	CK40	1.0	0.98	200	-55 ~ +70	1,500	1.5	0.66	286x286x130	2.8
	CK60	1.5	1.47	200	-55 ~ +70	700	1.54	0.66	286x286x130	2.8
	CK80 *	2.0	1.96	200	-55 ~ +70	250	0.95	—	405x410x75	1.7
	CK100 *	2.5	2.448	200	-55 ~ +70	250	1.5	—	405x410x75	2.2
	CK120 *	3.0	2.944	200	-55 ~ +70	150	1.29	—	405x410x75	2.0
SK (Lighting)	SK10	0.25	0.24	300	-55 ~ +70	12,000	0.72	0.66	286x286x130	2.0
	SK20	0.5	0.486	200	-55 ~ +70	6,000	1.44	0.66	286x286x130	2.7
	SK30	0.75	0.735	150	-55 ~ +70	2,700	1.458	0.66	286x286x130	2.7
	SK40	1.0	0.98	150	-55 ~ +70	1,500	1.5	0.66	286x286x130	2.8
	SK60	1.5	1.47	150	-55 ~ +70	700	1.54	0.66	286x286x130	2.8
	SK80 *	2.0	1.96	150	-55 ~ +70	250	0.95	—	405x410x75	1.7

\* bundled coil

## POF lighting applications

