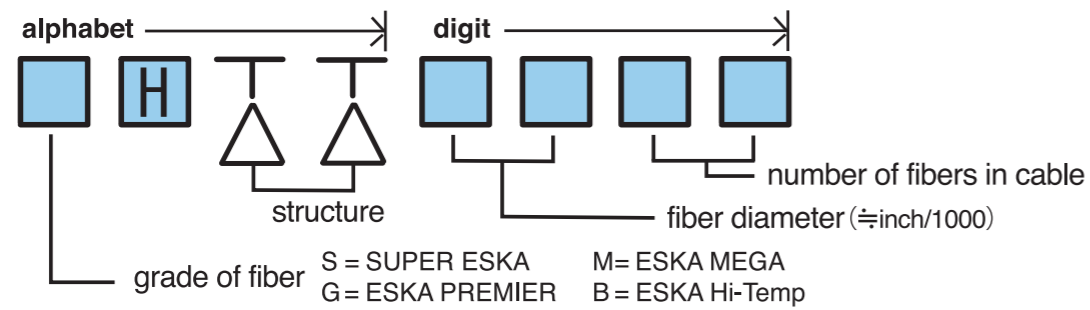


# Cables

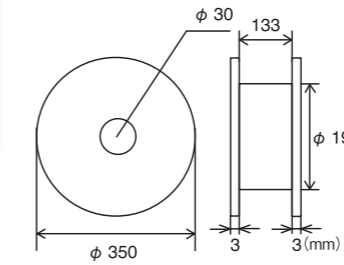
## Item No. designation



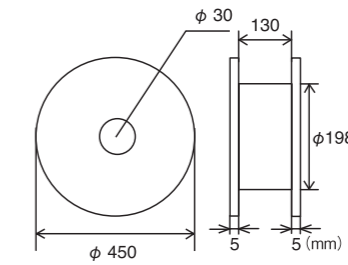
## Spool dimensions



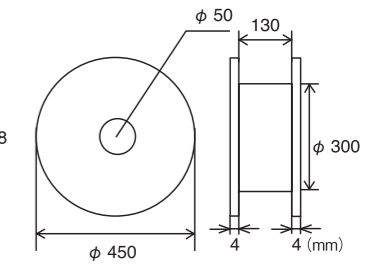
spool type A 1.2kg



spool type B 2.0kg



spool type C 1.8kg



	Item No.	Fiber Diameter x Number of Fibers	Cable Outer Diameter (mm)	Transmission Loss (dB/km)	Jacket Material	Temperature Range (°C)	Tensile Strength (N)	Length (m)	Net Weight (without spool) (kg)	Type of Spool	Box size (mm)	Gross Weight (cable+spool+box) (kg)	Remarks
SH (Consumer Data)	SH1001	0.25mm x 1	1.0 ± 0.05	700	PE	-55~+70	6	1000	0.74	A	365 x 365 x 160	2.3	
	SH2001-J	0.5mm x 1	1.0 ± 0.05	210	PE	-55~+70	18	1000	1.0	A	365 x 365 x 160	2.6	
	SH2002	0.5mm x 2	1.0 x 2.0 ± 0.1	210	PE	-55~+70	36	500	1.0	A	365 x 365 x 160	2.6	
	SH3001	0.75mm x 1	2.2 ± 0.07	200	PE	-55~+70	45	500	2.0	A	365 x 365 x 160	3.6	
	SH3002	0.75mm x 2	2.2 x 4.3 ± 0.1	200	PE	-55~+70	90	500	4.0	A	365 x 365 x 160	5.6	
	SH4001	1.0mm x 1	2.2 ± 0.07	190	PE	-55~+70	70	500	2.0	A	365 x 365 x 160	3.6	
	SH4002	1.0mm x 2	2.2 x 4.3 ± 0.1	190	PE	-55~+70	140	500	4.0	A	365 x 365 x 160	5.6	
	SH6001	1.5mm x 1	3.0 ± 0.15	190	PE	-55~+70	118	500	3.55	A	365 x 365 x 160	5.2	
	SH8001	2.0mm x 1	3.0 ± 0.15	200	PE	-55~+70	200	500	4.0	A	365 x 365 x 160	5.6	
	SHEV4001	1.0mm x 1	4.0 ± 0.2	200	PE/PVC	-55~+70	70	500	8.5	B	470 x 470 x 180	10.9	
	SHCP4001	1.0mm x 1	2.2 ± 0.07	200	Chlorinated PE	-55~+70	70	500	3.0	A	365 x 365 x 160	4.6	UL1581VW1, Style No.5310
	SHCP4002	1.0mm x 2	2.2 x 4.3 ± 0.1	200		-55~+70	140	500	6.0	A	365 x 365 x 160	7.6	UL1581VW1, Style No.5310
	SH1016	0.265mm x 16	2.2 ± 0.07	650	PE	-55~+70	50	500	1.9	A	365 x 365 x 160	3.5	
	SH1032	0.265mm x 32	2.8 ± 0.07	650	PE	-55~+70	( > 50 )	500	3.1	A	365 x 365 x 160	4.7	
SH1048	0.265mm x 48	3.0 ± 0.07	650	PE	-55~+70	( > 50 )	500	3.65	A	365 x 365 x 160	5.3		
SH1064	0.265mm x 64	3.25 ± 0.07	650	PE	-55~+70	( > 50 )	500	4.4	A	365 x 365 x 160	6.0		
GH (Industrial Data)	GH4001	1.0mm x 1	2.2 ± 0.07	170	PE	-55~+85	70	500	2.0	A	365 x 365 x 160	3.6	
	GH4002	1.0mm x 2	2.2 x 4.4 ± 0.1	170	PE	-55~+85	140	500	4.0	A	365 x 365 x 160	5.6	
	GHV4001	1.0mm x 1	2.2 ± 0.07	170	PVC	-55~+85	70	500	2.75	A	365 x 365 x 160	4.4	UL1581VW1, Style No.5237
	GHV4002	1.0mm x 2	2.2 x 4.3 ± 0.1	170	PVC	-55~+85	140	500	5.5	A	365 x 365 x 160	7.1	UL1581VW1, Style No.5238
	GHEV4001	1.0mm x 1	3.0 ± 0.1	170	PE/PVC	-55~+85	120	500	4.25	B	470 x 470 x 180	6.7	
	GHEV4002	1.0mm x 2	4.0 x 5.5 ± 0.1	170	PE/PVC	-55~+85	160	500	11.5	B	470 x 470 x 180	13.9	
	GHN4001	1.0mm x 1	2.2 ± 0.07	170	NYLON	-55~+85	70	500	2.25	A	365 x 365 x 160	3.9	
	GHCP4001	1.0mm x 1	2.2 ± 0.07	170	Chlorinated PE	-55~+85	70	500	3.0	A	365 x 365 x 160	4.6	UL1581VW1, Style No.5310
	GHCP4002	1.0mm x 2	2.2 x 4.4 ± 0.1	170		-55~+85	140	500	6.0	A	365 x 365 x 160	7.6	UL1581VW1, Style No.5310
	GHTT4001	1.0mm x 1	5.0 ± 0.2	170	PE/PVC	-55~+85	245	500	14.0	B	470 x 470 x 180	16.4	aramid tension member
GHTT4002	1.0mm x 2	6.0 ± 0.2	170	PE/PVC	-55~+85	420	400	21.0	B	470 x 470 x 180	23.4	aramid tension member	
MH (wide bandwidth)	MH4001	1.0mm x 1	2.2 ± 0.07	160	PE	-55~+85	70	500	2.0	C	470 x 470 x 180	4.6	
	MH4002	1.0mm x 2	2.2 x 4.4 ± 0.1	160	PE	-55~+85	140	500	4.0	C	470 x 470 x 180	6.6	
BH (Heat resistant)	BH2001	0.5mm x 1	0.95 ± 0.05	250	Crosslinked PE	-55~+105	18	1000	0.81	A	365 x 365 x 160	2.8	
	BH4001	1.0mm x 1	2.18 ± 0.05	200		-55~+105	70	500	1.9	A	365 x 365 x 160	3.8	